

TREX TRANSCEND® STAIR RAILING

Installation Instructions



IMPORTANT NOTES:

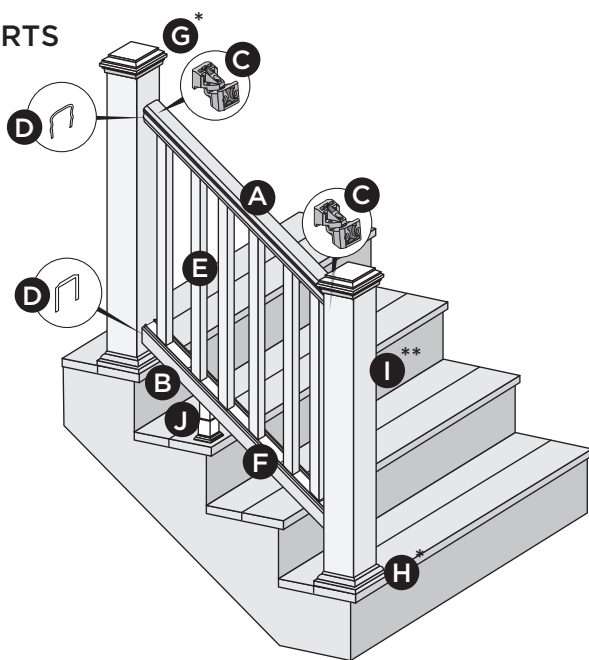
- » TREX TRANSCEND RAILINGS ARE DESIGNED TO BE INSTALLED OVER THE DECKING FRAME OR ON INSIDE OF RIM JOIST. NOTCHING OF PRESSURE-TREATED POSTS OR POSTS INSTALLED ON OUTSIDE OF RIM JOIST IS NOT ALLOWED.
- » POST TO POST SPAN WILL BE LESS THAN 6' OR 8'. PRIOR TO INSTALLING POSTS CALCULATE POST TO POST SPAN USING A MAXIMUM RAIL LENGTH REQUIRED AND THE ANGLE (32°-37°) AT WHICH THE RAILS WILL BE INSTALLED. DO NOT INSTALL STAIR POSTS AT 6' OR 8' SPAN, AS STAIR RAILINGS WILL THEN BE TOO SHORT.

Care and Cleaning

Maintaining the appearance of your Trex Transcend railing is important. The occasional wash is recommended as over time your railing may show signs of weathering as a result of exposure to the elements. The frequency of cleaning will depend on the environment and exposure to various types of elements.

- » Clean railing using a standard cleaning vinegar or mild soap and water.
- » For more detailed cleaning recommendations please refer to the Trex Railing Care and Cleaning guide found on www.trex.com.

PARTS



- A. Crown or Universal rail
- B. Universal rail
- C. Railing Support Brackets (RSB)
- D. Stair rail gaskets
- E. Balusters
- F. Stair baluster spacer
- G. Post sleeve cap*
- H. Post sleeve skirt*
- I. Post sleeve - 4" x 4" (102 mm x 102 mm) or 6" x 6" (152 mm x 152 mm)**
- J. Adjustable foot block (quantity of one is required for all railing span lengths)***

* Item not included in the Transcend railing kits.

** Both 4" x 4" (102 mm x 102 mm) and 6" x 6" (152 mm x 152 mm) post sleeves are designed to fit over 4x4 pressure-treated post.

***For commercial applications, spans over 6' will require two foot blocks. One will be included in kit, a second one will need to be purchased separately.

BALUSTER OPTIONS



NOTE: Pictorial representations shown may only show one style of railing, while others may also be used. Review detailed instructions to determine what railing styles and combinations can be used.

DETERMINING BALUSTERS NEEDED

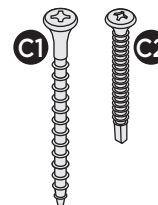
Baluster Type	For 6' Stair Rail	For 8' Stair Rail
Standard (Stair Application)	11	15
Round/Square Aluminum (Stair Application)	12	16

NOTES:

- » Basic installation for balusters is the same for all options. When using round or square aluminum balusters, use correct baluster spacers.
- » If installing 42" (1067 mm) railing, use longer post sleeves and measure accordingly to ensure a proper cut. DO NOT CUT TO ACTUAL 42" LENGTH WITHOUT CONFIRMING WHAT STYLE OF RAILING YOU ARE INSTALLING.
- » Ensure pressure-treated posts are installed at proper heights so when post sleeves are installed, both the PT post and post sleeve are flush at top.
- » If using post mounts, refer to detailed instructions provided with post mounts for attaching these prior to installation of any railing type.

Screws Supplied with RSB

- C1. Wood screw for attachment of RSB to wood post/composite sleeve
- C2. Self-drilling screw for attachment of RSB to rail

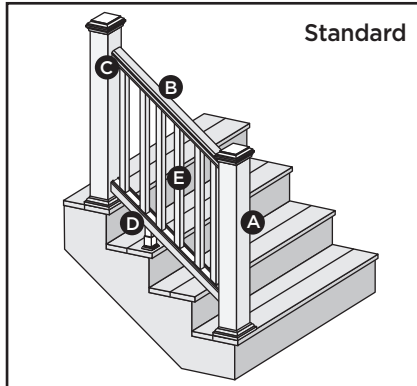


TREX TRANSCEND® STAIR RAILING

Installation Instructions

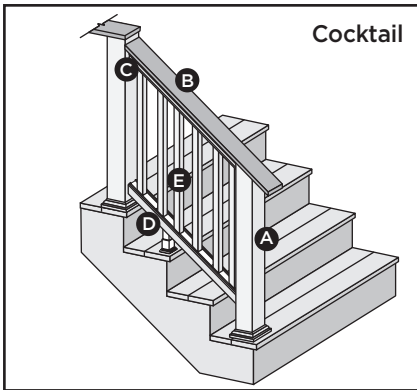
TREX TRANSCEND STAIR RAILING CONFIGURATIONS

Note: See specific installation instructions for attachment of Trex Post Mounts or Trex Joist Mount Posts prior to installing any railing.



Cutting post sleeves is **NOT** required.

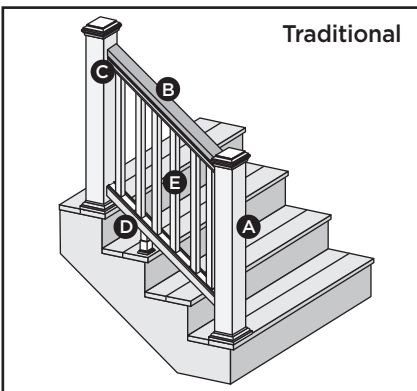
- A. Pressure-treated post/Trex post sleeve, Trex post mount/Trex post sleeve, or Joist Mount Post/Trex post sleeve (INSIDE MOUNT ONLY)
 - B. Crown rail
 - C. Universal bottom rail
 - D. Trex balusters (must also use appropriate stair baluster spacer)
- See page 3 for "How to Install Standard Stair Railing".



Post sleeves **WILL NEED TO BE CUT.**

- A. Pressure-treated post with Trex post sleeve
NOTE: » Only for use with 4" x 4" (102 mm x 102 mm) post sleeve.
» Trex post mounts cannot be used with Transcend cocktail design.
 - B. Deck board top rail (1 x 6 or 2 x 6). **NOTE:** Enhance or Escapes cannot be used.
 - C. Universal top rail
 - D. Universal bottom rail
 - E. Trex balusters (must also use appropriate stair baluster spacer)
- See page 7 for "How to Install Cocktail Stair Railing".

**POST
SLEEVES
WILL
NEED TO
BE CUT**



Cutting post sleeves is **NOT** required. Ensure both top and bottom post/post sleeves are tall enough to accommodate top rail and 2" x 4" (51 mm x 102 mm).

- A. Pressure-treated post/Trex post sleeve, Trex post mount/Trex post sleeve, or Joist mount post/Trex post sleeve (INSIDE MOUNT ONLY)
 - B. 2" x 4" (51 mm x 102 mm) top rail
 - C. Universal top rail
 - D. Universal bottom rail
 - E. Trex balusters
- See page 8 for "How to Install Traditional Stair Railing".

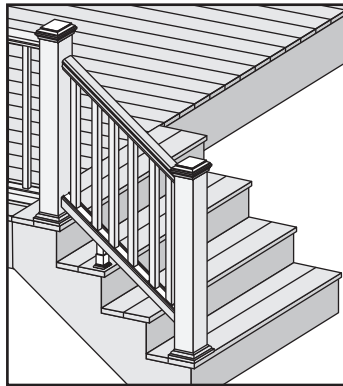
NOTES:

- » If using Round or Square Aluminum Balusters, follow desired railing style instructions found above, substituting correct baluster spacer for type of baluster being used.

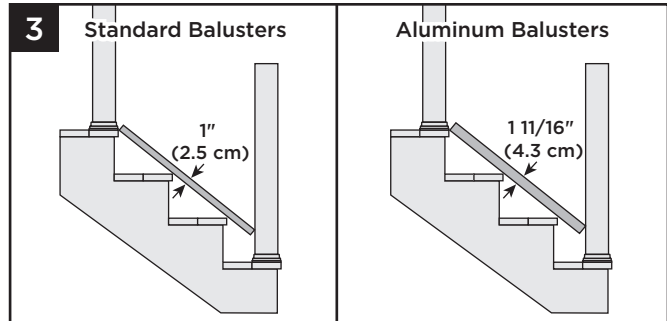
HOW TO INSTALL STANDARD STAIR RAILING TREX TRANSCEND

Installing Pressure-Treated Posts

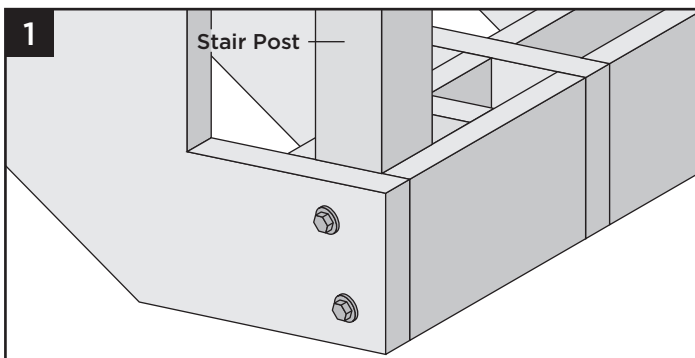
- » PLEASE REFER TO LOCAL BUILDING CODE REQUIREMENTS PRIOR TO ATTACHING PRESSURE TREATED POSTS.
- » PRESSURE TREATED POSTS MUST BE INSTALLED ON INSIDE OF STAIR STRINGER AND AT NOSE OF STAIR TREAD.
- » POST TO POST SPAN WILL BE LESS THAN 6' OR 8'. PRIOR TO INSTALLING POSTS CALCULATE POST TO POST SPAN USING A MAXIMUM RAIL LENGTH REQUIRED AND THE ANGLE (32°-37°) AT WHICH THE RAILS WILL BE INSTALLED. DO NOT INSTALL STAIR POSTS AT 6' OR 8' SPAN, AS STAIR RAILINGS WILL THEN BE TOO SHORT.



Measuring and Cutting Bottom Stair Rail



3. If using standard balusters, place a 1" (254 mm) deckboard on the nose of the stair tread. If using aluminum balusters, use a scrap piece of wood measuring at least 1-11/16" thick, and place on the nose of the stair tread.



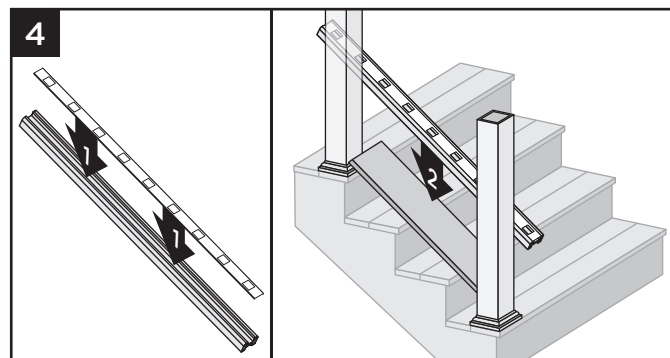
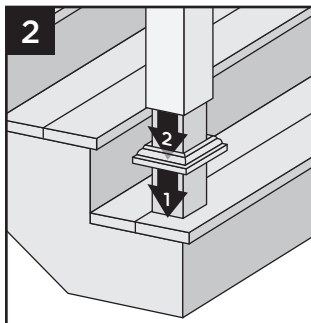
- » Attach posts using code approved hardware and also use added blocking.
- » Bolts can be countersunk flush with framing to allow for fascia attachment.
- » In most cases, a post and post sleeve longer than 39" (991 mm) will be needed on the lower section of stair rail to accommodate stair angle.

NOTE: Blocking can be added for extra strength.

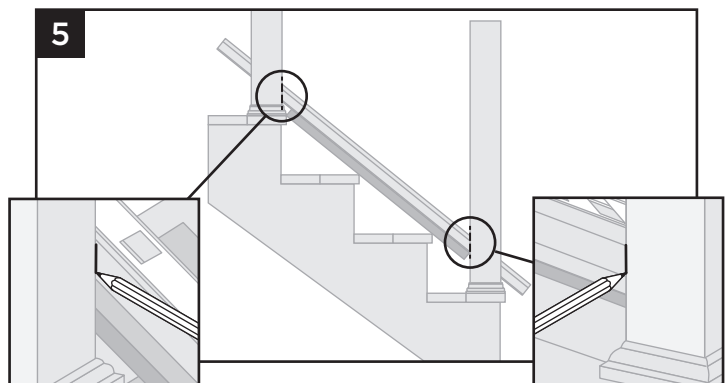
Installing Post Sleeve Skirts and Post Sleeves

2. Slide post sleeve skirt over post and down to rest on decking surface. Slide post sleeve over post and position inside post sleeve skirt.

NOTE: Shims can be used to plumb post sleeves.



4. Snap baluster spacer into bottom stair rail and lay bottom stair rail on top of the deckboard



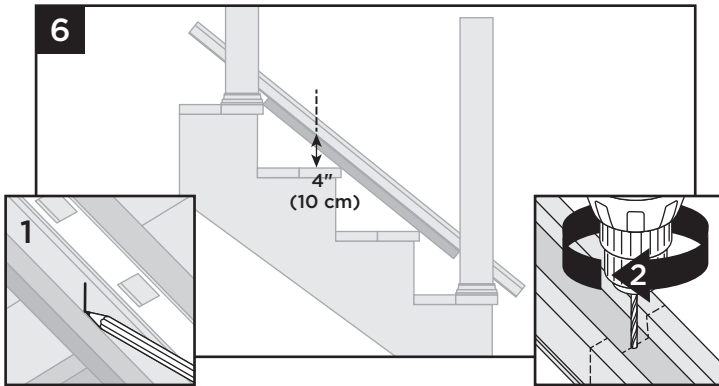
5. Use the lower and upper stair post to set the length of the bottom stair rail. Ensure that baluster spacer holes are spaced evenly between posts. Also allow for a minimum of 1-1/2" (292 mm) at each end of the stair rail for bracket placement and baluster clearance. Mark rail at post intersections.

TREX TRANSCEND® STAIR RAILING

Installation Instructions

HOW TO INSTALL STANDARD STAIR RAILING/CONTINUED TREX TRANSCEND

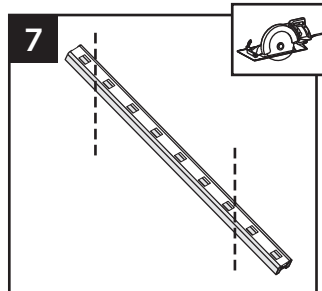
Marking Location for Foot Block to Bottom Rail



6. Mark approximate location for foot block, allowing a measurement of 4" maximum. Invert the bottom rail, and at marked location drill a hole using a 3/16" drill bit in the center of the channel. Foot block is to be installed at last step. For spans over 6' in commercial applications, mark and drill two locations spaced evenly apart for two foot blocks.

Cutting Bottom Stair Rail and Baluster Spacer

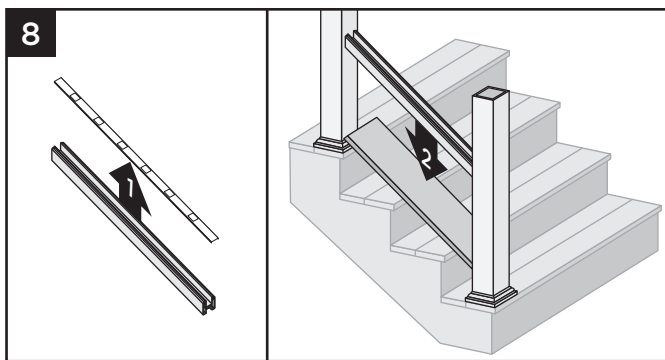
7. Keeping baluster spacer in rail, cut along marks.



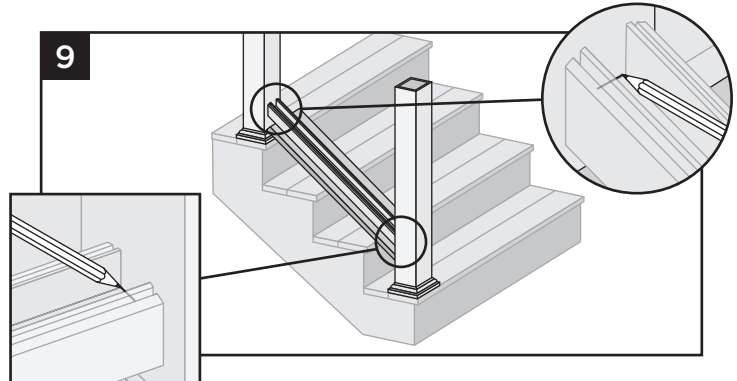
NOTES:

- » If using rail gaskets, subtract 1/16" from each end and cut.
- » **KEEP BALUSTER SPACER IN RAIL WHEN CUTTING. CUT VERY CAREFULLY TO NOT BREAK BALUSTER SPACER.**

Attaching RSB's for Bottom Stair Rail

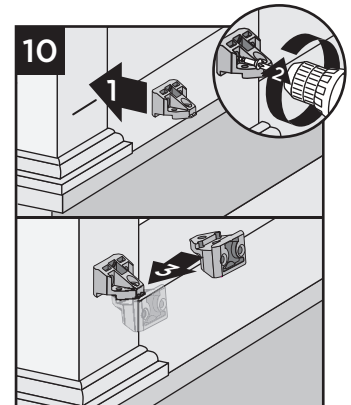


8. Remove baluster spacer from bottom rail and place rail in between posts, keeping rail on deckboard.

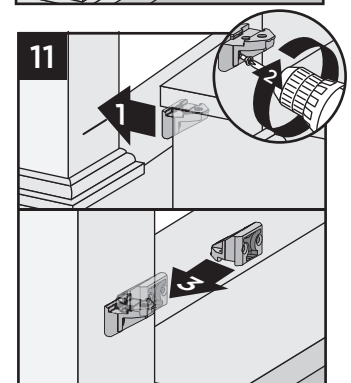


9. Mark both posts on inside channel of the bottom stair rail. Remove bottom stair rail.

10. For **UPPER** post - install **RSB FLAT SIDE DOWN, ABOVE MARKED LINE**, using two wood screws provided. Take second RSB, turn upside down and interlock into first RSB.



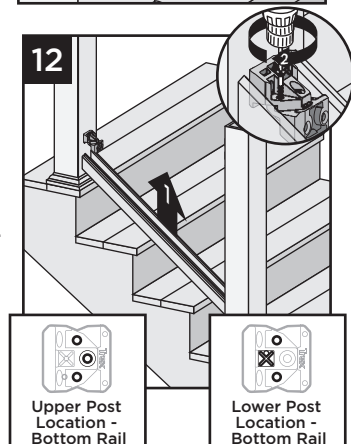
11. For **LOWER** post - install **RSB FLAT SIDE UP, ABOVE MARKED LINE**, using two wood screws provided. Take second RSB, turn upside down and interlock into first RSB.



Attaching Bottom (Universal) Stair Rail

12. Lift bottom stair rail so RSB's are in the channel and attach with 3 self-drilling screws provided. Use the three outer holes in RSB to attach screws.

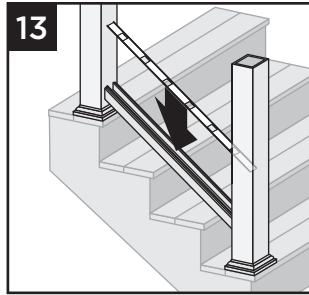
Tip: Deckboard can be placed underneath bottom stair rail to help hold rail firmly in place while attaching.



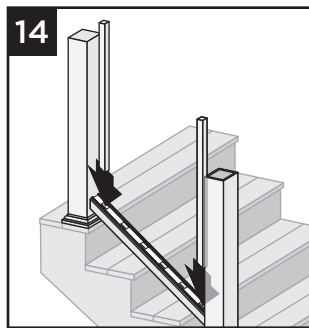
HOW TO INSTALL STANDARD STAIR RAILING/CONTINUED TREX TRANSCEND

IMPORTANT NOTE IF INSTALLING ALUMINUM BALUSTERS: If necessary cut aluminum baluster adaptor strip at appropriate length to ensure this can be fully seated into the bottom stair rail without interfering with the RSBs.

13. Snap bottom baluster spacer into bottom stair rail.

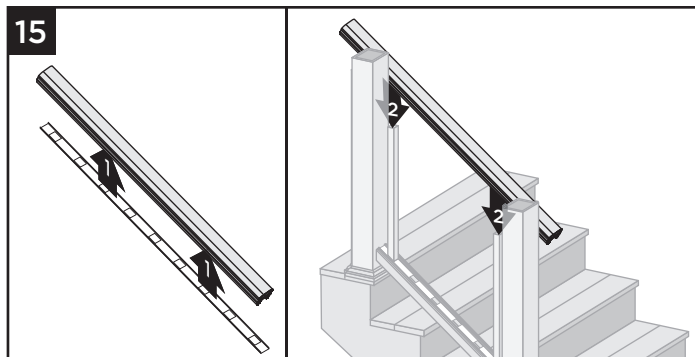


14. Place two balusters into bottom stair rail at each end closest to the post, and ensure these balusters are parallel to posts.

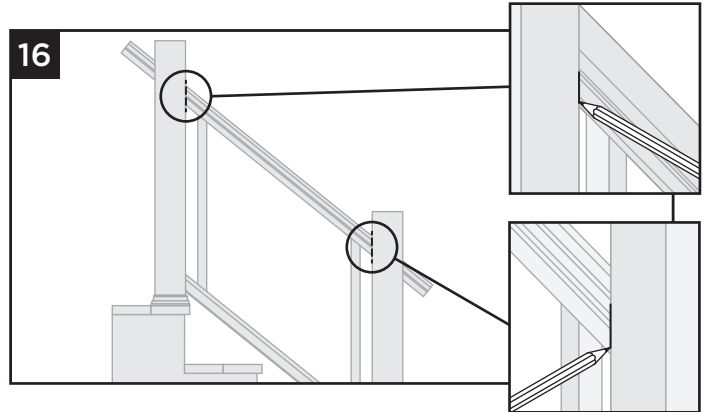


Tip: Use clamps to help hold balusters in place.

Measuring and Cutting Top Stair Rail and Baluster Spacer

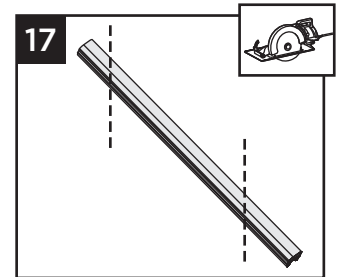


15. Snap baluster spacer into top stair rail. Position top stair rail onto balusters, ensuring balusters are fully seated in rail (position to side of post), and **ENSURE** that balusters are spaced evenly **AND** parallel with post. Also allow for a minimum of 1-1/2" (292 mm) at each end of the stair rail for bracket placement and baluster clearance.



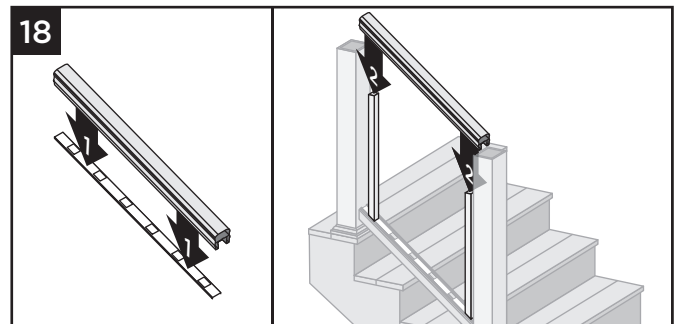
16. Mark rail at post intersection.

17. Remove top rail, keeping baluster spacer in rail, and cut along marks.

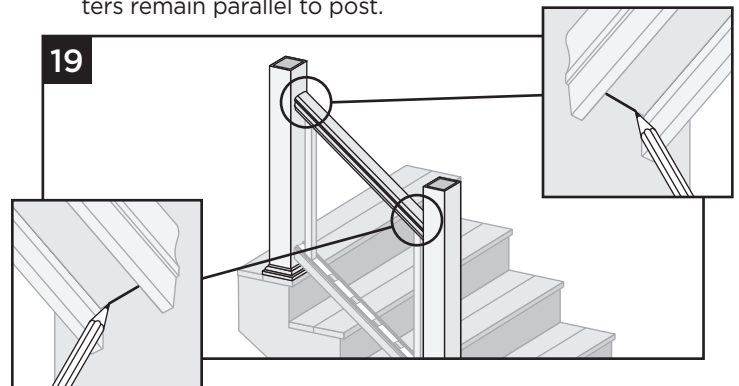


NOTES:

- » If using rail gaskets, subtract 1/16" from each end and cut.
- » **KEEP BALUSTER SPACER IN RAIL WHEN CUTTING. CUT VERY CAREFULLY IN ORDER TO NOT BREAK BALUSTER SPACER.**



18. Remove baluster spacer from top stair rail and place rail in between posts on top of balusters, **ENSURING** that balusters remain parallel to post.



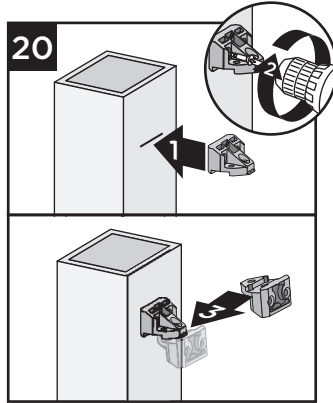
19. Mark both posts on inside channel of the top stair rail. Remove top stair rail.

TREX TRANSCEND® STAIR RAILING

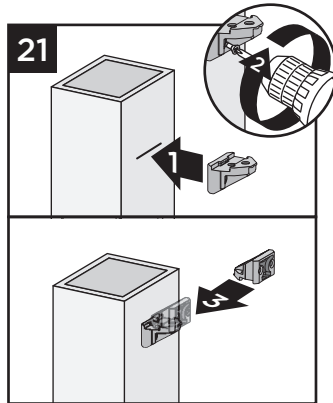
Installation Instructions

HOW TO INSTALL STANDARD STAIR RAILING/CONTINUED TREX TRANSCEND

20. For **UPPER** post - install **RSB FLAT SIDE DOWN BELOW MARKED LINE**, using two wood screws provided. Take second RSB, turn upside down and interlock into first RSB.

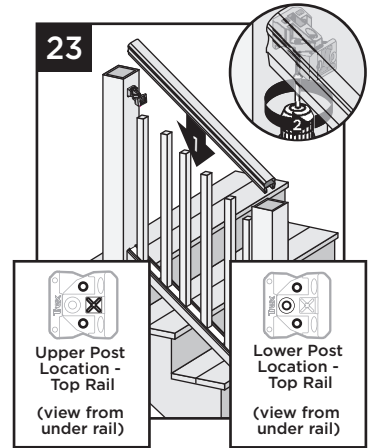


21. For **LOWER** post - install **RSB FLAT SIDE UP BELOW MARKED LINE**, using two wood screws provided. Take second RSB, turn upside down and interlock into first RSB.

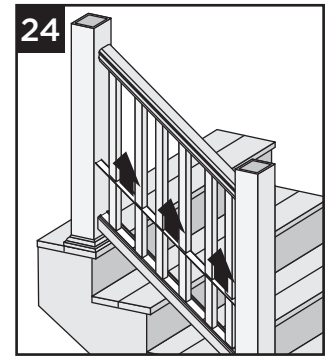


Attaching Top Stair Rail

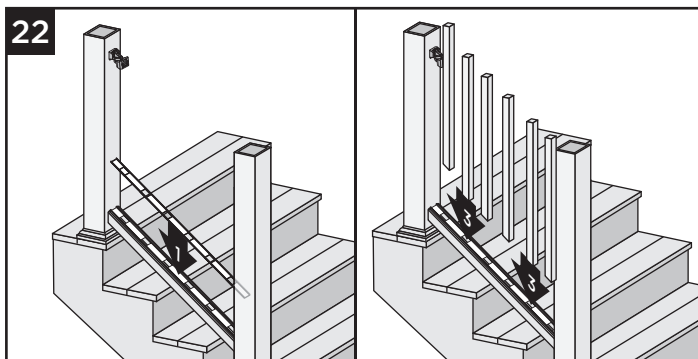
23. Place top stair rail on RSB's (ensuring balusters are also in channel of rail). Attach with 3 self-drilling screws provided. Use the three outer holes in RSB to attach screws.



24. Slide baluster spacer up and snap into top rail.



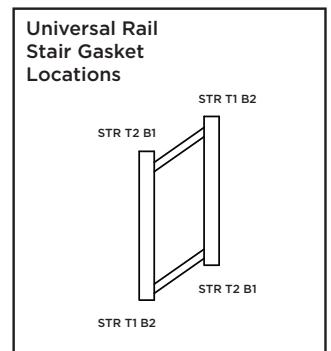
Installing Inverted Top Baluster Spacer and Placing Balusters



22. Place inverted top baluster spacer on bottom rail rail/baluster spacer, ensuring that baluster holes line up. Install balusters into bottom stair rail.

Installing Optional Gaskets

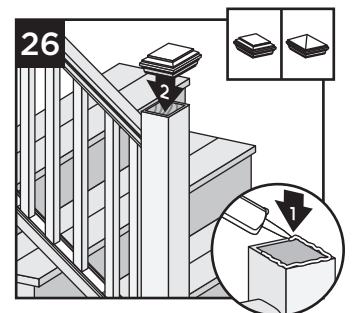
25. Stair rail gaskets are designed to fit at slopes of 32° to 37°. Gaskets are labeled in order to ensure correct location.



Attaching Post Caps and Installing Foot Block

26. Secure post caps with silicone or PVC adhesive. Attach foot block per foot block instructions.

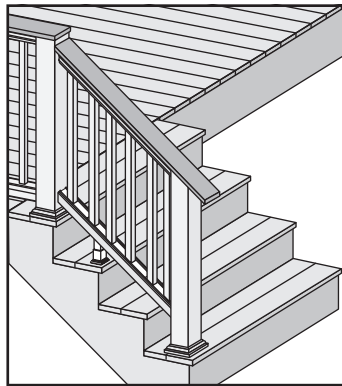
NOTE: Clean-up any excess adhesive before it dries.



HOW TO INSTALL COCKTAIL STAIR RAILING TREX TRANSCEND

IMPORTANT NOTES:

» Only for use with pressure-treated 4 x 4 post (3.5" nominal square) and 4" x 4" (102 mm x 102 mm) post sleeve. Trex post mounts or joist mount posts cannot be used with Trex Transcend stair railing. Cutting post and post sleeve only applies to Cocktail style railing.



» **DO NOT CUT POST/POST SLEEVES UNTIL TOP RAIL IS FULLY INSTALLED. THE DECK BOARD USED IN TRANSCEND STAIR COCKTAIL RAILING WILL NEED TO TERMINATE AT THE TOP OF THE POST AS SHOWN ABOVE. THE DECK BOARD WILL HAVE TO BE INSTALLED INTO THE SIDE OF THE POST IN THESE AREAS USING 2 APPROPRIATE COMPOSITE DECKING SCREWS - PRE-DRILLING IS RECOMMENDED.**

Installing Pressure-treated Posts, Post Sleeves, and Skirts

1. See instructions on page 3. See notes on page 7 regarding not cutting post/post sleeve.

Measuring and Cutting Bottom Stair Rail

2. See instructions on page 3.

Marking Location for Foot Block on Bottom Rail

3. See instructions on page 4.

Attaching RSB's for Bottom Stair Rail

4. See instructions on page 4.

Attaching Bottom (Universal) Stair Rail

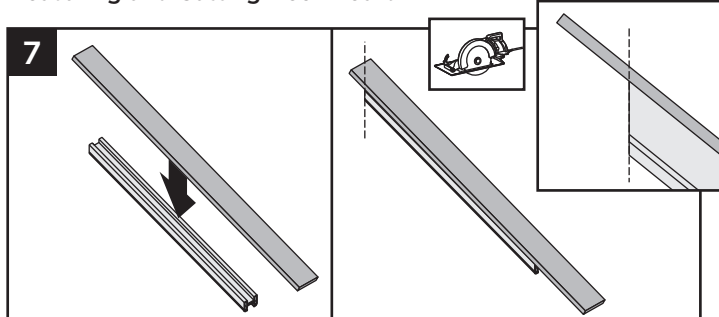
5. See instructions on page 4.

IMPORTANT NOTE: REMEMBER TO INVERT UNIVERSAL TOP RAIL BEFORE MARKING AND CUTTING

Measuring and cutting Top Stair Rail

6. See instructions on page 5.

Measuring and Cutting Deck Board



7. Using the cut top rail as template, cut deck board at upper post location at same angle as the top rail. Leave a generous amount of deck board material at lower post location as this will allow for overhang and can be cut later.

Attaching RSB's for Top Stair Rail

8. See instructions on page 6.

Installing Inverted Top Baluster Spacer and Placing balusters

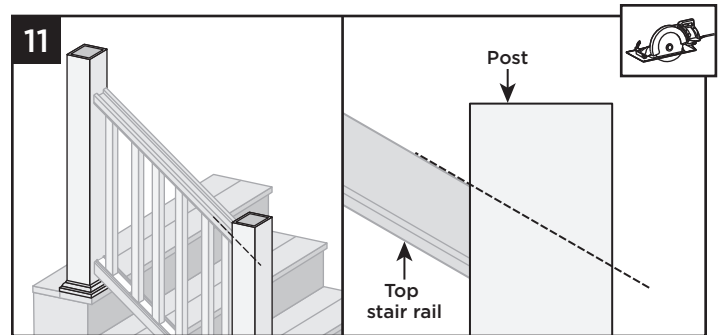
9. See instructions on page 6.

DO NOT SLIDE TOP BALUSTER SPACER INTO PLACE YET.

Attaching Top Stair Rail

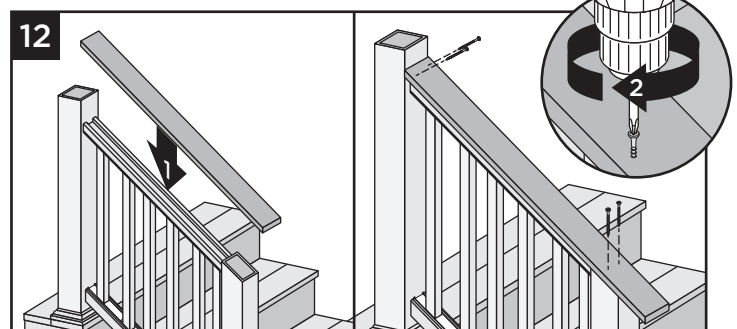
10. See instructions on page 6.

Cutting Lower Post/Post Sleeve



11. Cut post and post sleeves to proper angle so cut is flush with the top rail. Be careful to not cut top rail.

Attaching Deck Board to Top Stair Rail and Securing Balusters

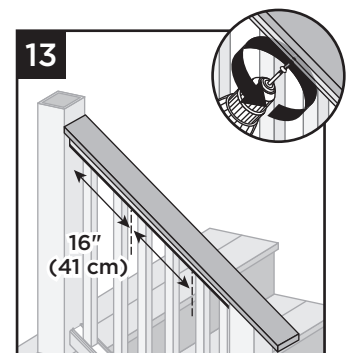


12. Place deck board on top rail and attach board to posts using two Trex recommended composite decking screws (use two screws per each post).

NOTE: At upper post location pre-drilling is recommended and install screws perpendicular to the post.

13. Secure board to top (universal) rail from underside of rail into bottom of deck board with 1-5/8" (41 mm) pan-head screws (not provided) approximately every 16".

NOTE: balusters can be shifted out of the way if necessary.



TREX TRANSCEND® STAIR RAILING

Installation Instructions

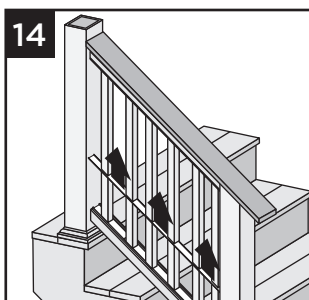
HOW TO INSTALL COCKTAIL STAIR RAILING CONTINUED TREX TRANSCEND

14. Slide baluster spacer up and snap into top rail.

Installing Optional Gaskets

15. See instructions on page 6.

NOTE: Top gaskets may have to be trimmed to fit properly.



Installing Foot Block

16. See instructions on page 6.

HOW TO INSTALL TRADITIONAL STAIR RAILING TREX TRANSCEND

Installing Pressure-treated Posts, Post Sleeves, and Skirts

1. See instructions on page 3.

Measuring and Cutting Bottom Stair Rail

2. See instructions on page 3.

Marking Location for Foot Block on Bottom Rail

3. See instructions on page 4.

Attaching RSB's for Bottom Stair Rail

4. See instructions on page 4.

Attaching Bottom (Universal) Stair Rail

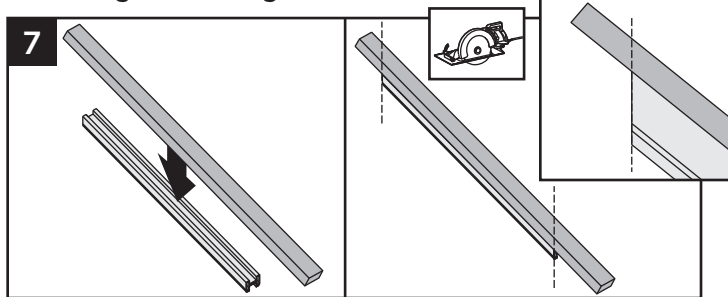
5. See instructions on page 4.

IMPORTANT NOTE: REMEMBER TO INVERT UNIVERSAL TOP RAIL BEFORE MARKING AND CUTTING

Measuring and cutting Top Stair Rail

6. See instructions on page 5.

Measuring and Cutting 2x4



7. Using the cut top rail as template, cut 2x4 at same angle and length of the top rail.

Attaching RSB's for Top Stair Rail

8. See instructions on page 6.

Installing Inverted Top Baluster Spacer and Placing Balusters

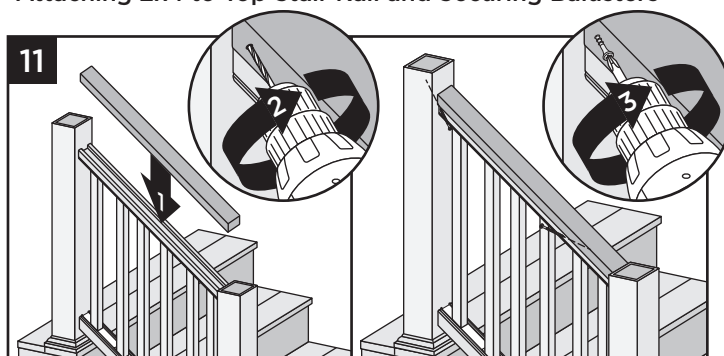
9. See instructions on page 6.

DO NOT SLIDE TOP BALUSTER INTO PLACE YET.

Attaching Top Stair Rail

10. See instructions on page 6.

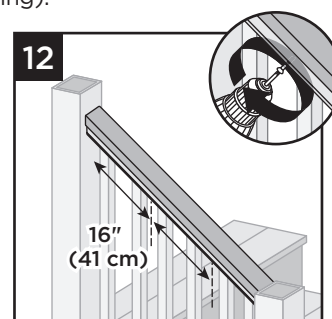
Attaching 2x4 to Top Stair Rail and Securing Balusters



11. Pre-drill a pilot hole and toenail 2-1/2" (6.4 cm) composite deck screw at each end of 2 x 4 into post on back side of stair rail (side not facing decking).

12. Secure 2x4 to top(universal) rail from underside of rail into bottom of 2x4 with 1-5/8" pan-head screws (not provided) approximately every 16".

NOTE: Balusters can be shifted out of the way if necessary.



13. Slide baluster spacer up and snap into top rail.

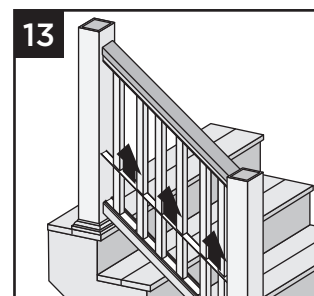
Installing Optional Gaskets

14. See instructions on page 6.

NOTE: top gaskets may have to be trimmed to fit properly.

Attaching Post Caps and Installing Foot Block

15. See instructions on page 6.



8